



KS A 9001 / ISO 9001 / EN ISO 9001 / QS-9000 / ISO-14001  
APPROVED BY KPC-QA / Clean 3D



# PJ KODIVAC VACUUM PRODUCTS

Cumulative High Technology Your Technological Partner For  
The New Millennium



 (주)PJ KODIVAC

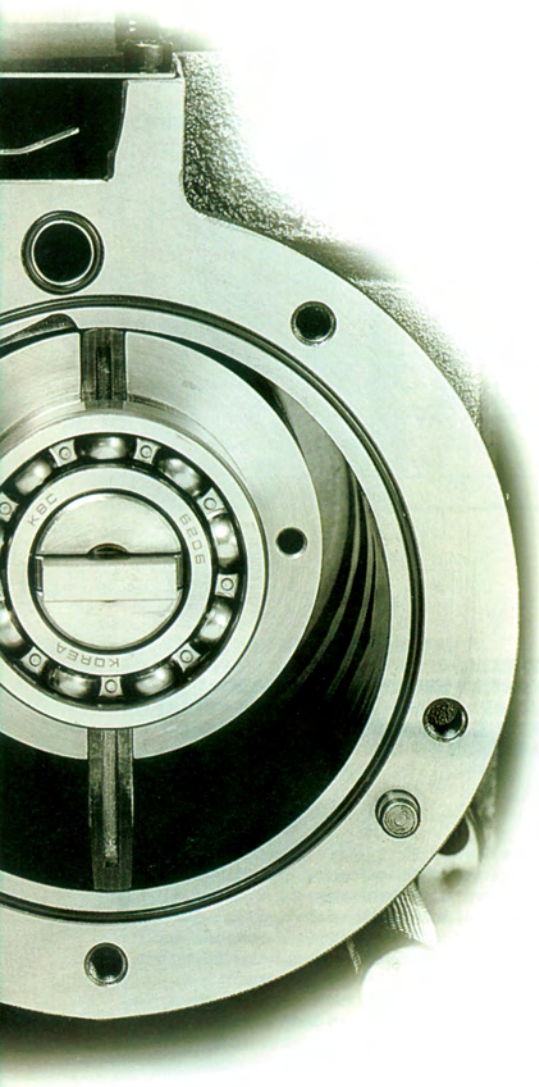
 VACTECH SDN. BHD.  
(Company No. 389978-P)

# ROTARY PUMP

Oil Rotary Vane Pump는 Pump Housing, Motor, Pump Cylinder, Rotor, Vane 등의 부품으로 구성되어 있으며, 편심된 회전축의 Rotor에 장착된 Vane에 의해 기체입자들이 압축, 배기 되는 반복운동으로 챔버로부터 99%이상의 기체를 제거할 수 있는 Pump입니다.

The Oil Rotary Vane Pump is the preferred choice for your clean, high-vacuum requirements. The vanes of the rotor turn on an eccentric axle compress and discharge gas molecules, eliminating over 99% of gases from the chamber by repeating such movement. Adoption of double stages drastically enhances ultimate vacuum condition.

website : [www.vactech.com.my](http://www.vactech.com.my)  
e-mail : [sales@vactech.com.my](mailto:sales@vactech.com.my)



## Introduction

PJ KODIVAC의 GHP Series는 도달진공도를 높이고 Pumping 효율을 높이기 위해 Double Stage를 채택하였으며, Motor Directly Slide Vane Type으로 뛰어난 품질과 긴 수명으로 높은 신뢰성을 가지고 있습니다.

이 GHP-Series는 강제윤활 방식으로 순환 Pump와 윤활유의 흐름을 제어하는 분배기를 탑재하여 높은 흡입압의 운전에 있어 문제가 되었던 내구성을 실현하였습니다. 그리고 온도 감지 기능을 가진 Oil Level Gauge를 장착하여 색의 변화에 대해 Pump의 과열을 쉽게 확인할 수 있도록 설계 하였습니다.

PJ KODIVAC's GHP-Series rotary vacuum pumps are sliding vane type double stage pumps directly connected to the motors, offering reliable vacuum pumping performance due to excellent quality and long service life.

These GHP-Series offer high durability, (as has been considered as a matter of concern) in operation at high suction pressure, by dint of being mounted with a pump for compulsory circulation of lubrication oil and a dispenser for control of the flow of lubrication oil.

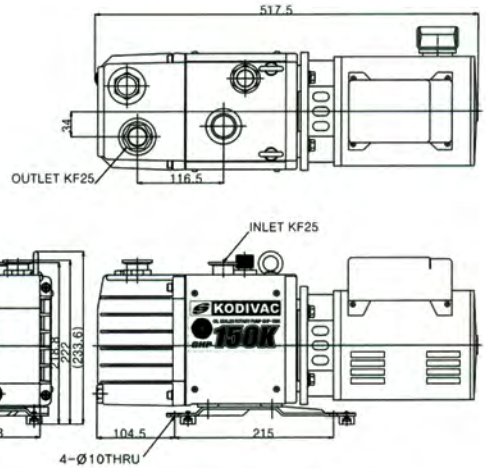
The oil level gauge designed to have temperature-sensing function, gives warning indications on is overheating of the pump by changing colors.

Oil Rotary Vane Pump



# OIL ROTARY VANE PUMP ▶ GHP-150K

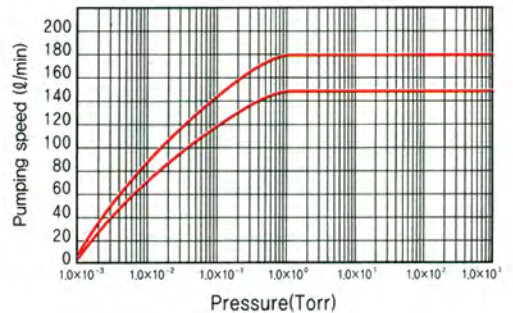
## Design / Outline Drawing(mm)



## Technical Specification

		Unit	50Hz	60Hz
Pumping Speed		ℓ /min	150	180
Ultimate Pressure	Gas Ballast Valve Close	Torr	$5 \times 10^{-4} (6.5 \times 10^{-2})$	
	Gas Ballast Valve Open	(Pa)	$1 \times 10^{-2} (1.3)$	
Power		kW	220V/380V×3φ×0.4kW (1Ø)	
Oil Capacity (Nin/Max)		ℓ	0.8 / 1.2	
Cooling			Air cooling	
Inlet Size			NW 25	
Outlet Size			NW25(PF3/4)	
Weight		kg	30	
Oil			MR200	

## Speed Curve



## Feature

### ■특징

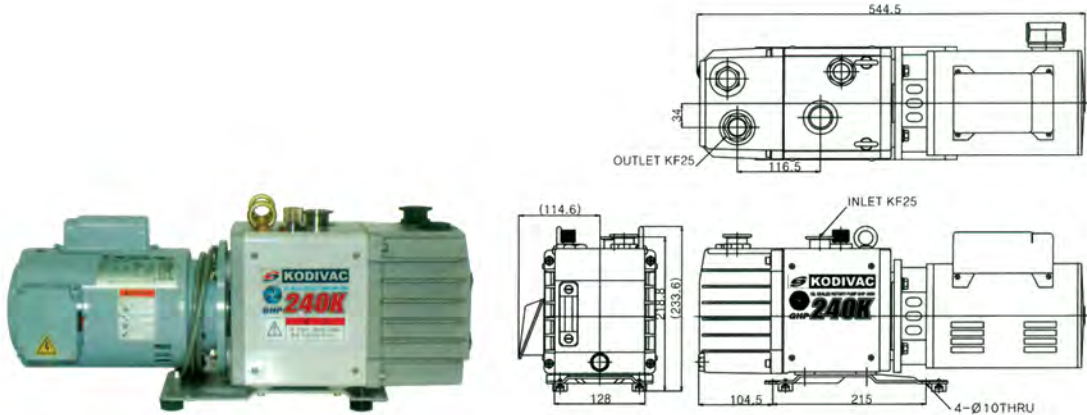
- 저소음 : 정밀가공 기술에 의한 저소음, 저진동의 펌프입니다.
- 오일 역류방지기구 내장 : 오일 역류방지기구 내장으로 정지시에 오일역류를 방지하므로 Pump Vent Valve가 필요없습니다.
- 뛰어난 호환성 : 전부품의 호환성이 있으며 위치결정형 평형핀의 체결, 각 Stator 등의 접속은 전부 O-Ring Seal로 되어 있으므로 분해조립이 용이한 구조입니다.
- 가스 밸러스트밸브 부착 : 가스 밸러스트밸브를 갖추고 있으므로, 수증기, 응축가스 등을 효과적으로 제거합니다.
- 오일 누설(漏洩) 방지 장치 : Oil Berth를 중간에 설치한 이중 Seal 구조로 되어 있으며, Oil Berth 양측면의 응력차를 극소화하여, Oil Seal 에서의 오일누설이 없습니다.
- 분진 무발생 : 직결구동이므로 벨트 마모에 의한 분진 발생이 없으므로 깨끗한 환경을 유지합니다.
- 소형 경량 : 직결구동이므로, 종래에 비하여 소형 경량입니다.

### ■Features

- Low noise levels : This pump operates with low noise and low vibration by using technology.
- Built-in anti-backstream device : The GHP-Series are perfectly protected from backstream when operation is suspended, thanks to the built-in anti-backstream device, which cut of any oil flow, where by eliminating the need for pump leak valve.
- Easy disassembling and reassembling : All the parts and components of the systems have interchangeable compatibility. Securing of the location-setting parallel pins and connecting of stators are treated with O-Ring seal, making it possible to disassemble and reassemble with ease.
- Equipped with gas ballast valve : The Series are equipped with gas ballast valve, which effectively eliminates oil vapors and condensed gases.
- Prevention of oil leakage : The Series, designed to have a double seal structure with an oil berth installed in the intermediate position, minimize stress difference between both sides of the oil seal, preventing for no oil leaks from the oil seal.
- Anti-dust producing : Driven by direct connection, the Series do not produce any dusts as it may, belt abrasion when driven by belt, contributing to maintaining clean environment.
- Driven by direct connection : The Series are small and light, compared to other systems.

# OIL ROTARY VANE PUMP ▶ GHP-240K

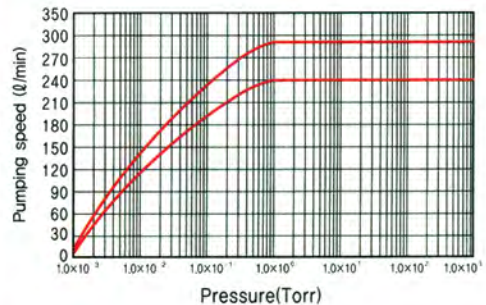
## Design / Outline Drawing(mm)



## Technical Specification

		Unit	50Hz	60Hz
Pumping Speed		ℓ / min	240	290
Ultimate Pressure	Gas Ballast Valve Close	Torr (Pa)	$5 \times 10^{-4} (6.5 \times 10^{-2})$	
	Gas Ballast Valve Open		$1 \times 10^{-2} (1.3)$	
Power		kW	220V/380V×3φ×0.4kW (1Ø)	
Oil Capacity (Nin/Max)		ℓ	0.8 / 1.1	
Cooling			Air cooling	
Inlet Size			NW 25	
Outlet Size			NW25(PF3/4)	
Weight		kg	31	
Oil			MR200	

## Speed Curve



## Feature

### ■특징

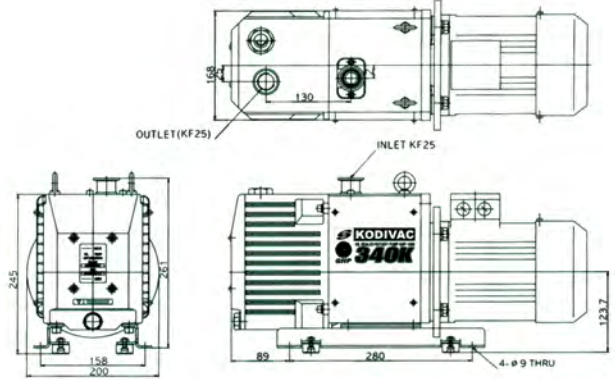
- 저소음 : 정밀가공 기술에 의한 저소음, 저진동의 펌프입니다.
- 오일 역류방지기구 내장 : 오일 역류방지기구 내장으로 정지시에 오일역류를 방지하므로 Pump Vent Valve가 필요없습니다.
- 뛰어난 호환성 : 전부품의 호환성이 있으며 위치결정형 평형핀의 체결, 각 Stator 등의 접속은 전부 O-Ring Seal로 되어 있으므로 분해조립이 용이한 구조입니다.
- 가스 밸러스트밸브 부착 : 가스 밸러스트밸브를 갖추고 있으므로, 수증기, 응축가스 등을 효과적으로 제거합니다.
- 오일 누설(漏洩) 방지 장치 : Oil Berth를 중간에 설치한 이중 Seal 구조로 되어 있으며, Oil Berth 양측면의 응력차를 극소화하여, Oil Seal 에서의 오일누설이 없습니다.
- 분진 무발생 : 직결구동이므로 벨트 마모에 의한 분진 발생이 없으므로 깨끗한 환경을 유지합니다.
- 소형 경량 : 직결구동이므로, 종래에 비하여 소형 경량입니다.

### ■Features

- Low noise levels : This pump operates with low noise and low vibration by using technology.
- Built-in anti-backstream device : The GHP-Series are perfectly protected from backstream when operation is suspended, thanks to the built-in anti-backstream device, which cut off any oil flow, where by eliminating the need for pump leak valve.
- Easy disassembling and reassembling : All the parts and components of the systems have interchangeable compatibility. Securing of the location-setting parallel pins and connecting of stators are treated with O-Ring seal, making it possible to disassemble and reassemble with ease.
- Equipped with gas ballast valve : The Series are equipped with gas ballast valve, which effectively eliminates oil vapors and condensed gases.
- Prevention of oil leakage : The Series, designed to have a double seal structure with an oil berth installed in the intermediate position, minimize stress difference between both sides of the oil seal, preventing for no oil leaks from the oil seal.
- Anti-dust producing : Driven by direct connection, the Series do not produce any dusts as it may, belt abrasion when driven by belt, contributing to maintaining clean environment.
- Driven by direct connection : The Series are small and light, compared to other systems.



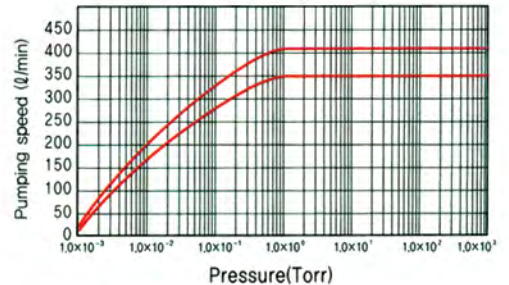
# OIL ROTARY VANE PUMP ▶ GHP-340K



## Technical Specification

		Unit	50Hz	60Hz
Pumping Speed		ℓ /min	340	408
Ultimate Pressure	Gas Ballast Valve Close	Torr	$5 \times 10^{-4} (6.5 \times 10^{-2})$	
	Gas Ballast Valve Open	(Pa)	$1 \times 10^{-2} (1.3)$	
Power		kW	220V/380V×3φ ×0.75kW	
Oil Capacity (Nin/Max)		ℓ	1.2 / 1.7	
Cooling			Air cooling	
Inlet Size			NW 25	
Outlet Size			NW25(PF3/4)	
Weight		kg	42	
Oil			MR200	

## Speed Curve



## Feature

### ■ 특징

- 저소음 : 정밀가공 기술에 의한 저소음, 저진동의 펌프입니다.
- 오일 역류방지기구 내장 : 오일 역류방지기구 내장으로 정지시에 오일역류를 방지하므로 Pump Vent Valve가 필요없습니다.
- 뛰어난 호환성 : 전부품의 호환성이 있으며 위치결정형 평형핀의 체결, 각 Stator 등의 접속은 전부 O-Ring Seal로 되어 있으므로 분해조립이 용이한 구조입니다.
- 가스 밸러스트밸브 부착 : 가스 밸러스트밸브를 갖추고 있으므로, 수증기, 응축가스 등을 효과적으로 제거합니다.
- 오일 누설(漏洩) 방지 장치 : Oil Berth를 중간에 설치한 이중 Seal 구조로 되어 있으며, Oil Berth 양측면의 응력차를 극소화하여, Oil Seal 에서의 오일누설이 없습니다.
- 분진 무발생 : 직결구동으로 벨트 마모에 의한 분진 발생이 없으므로 깨끗한 환경을 유지합니다.
- 소형 경량 : 직결구동이므로, 종래에 비하여 소형 경량입니다.

### ■ Features

- Low noise levels : This pump operates with low noise and low vibration by using technology.
- Built-in anti-backstream device : The GHP-Series are perfectly protected from backstream when operation is suspended, thanks to the built-in anti-backstream device, which cut off any oil flow, where by eliminating the need for pump leak valve.
- Easy disassembling and reassembling : All the parts and components of the systems have interchangeable compatibility. Securing of the location-settling parallel pins and connecting of stators are treated with O-Ring seal, making it possible to disassemble and reassemble with ease.
- Equipped with gas ballast valve : The Series are equipped with gas ballast valve, which effectively eliminates oil vapors and condensed gases.
- Prevention of oil leakage : The Series, designed to have a double seal structure with an oil berth installed in the intermediate position, minimize stress difference between both sides of the oil seal, preventing for no oil leaks from the oil seal.
- Anti-dust producing : Driven by direct connection, the Series do not produce any dusts as it may, belt abrasion when driven by belt, contributing to maintaining clean environment.
- Driven by direct connection : The Series are small and light, compared to other systems.

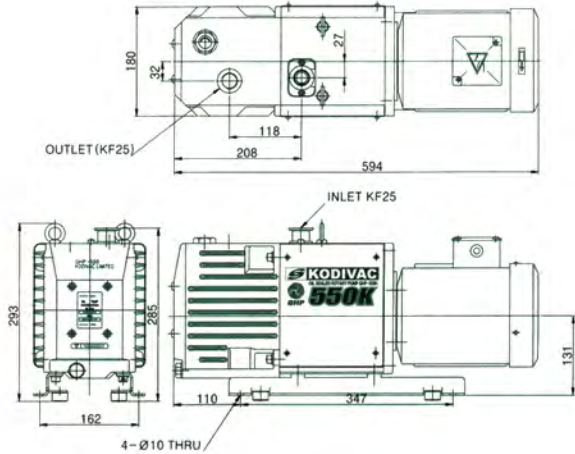
# OIL ROTARY VANE PUMP ▶ GHP-550K

ROTARY PUMP  
GHP-550K

OIL ROTARY VANE PUMP – GHP Series

website : [www.vactech.com.my](http://www.vactech.com.my)  
e-mail : [sales@vactech.com.my](mailto:sales@vactech.com.my)

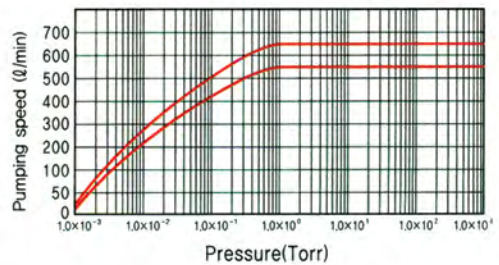
## Design / Outline Drawing(mm)



## Technical Specification

		Unit	50Hz	60Hz
Pumping Speed		ℓ / min	550	650
Ultimate Pressure	Gas Ballast Valve Close	Torr (Pa)	$5 \times 10^{-4} (6.5 \times 10^{-3})$	
	Gas Ballast Valve Open		$1 \times 10^{-2} (1.3)$	
Power		kW	220V/380V×3φ ×0.75kW	
Oil Capacity (Min/Max)		ℓ	1.2 / 1.7	
Cooling			Air cooling	
Inlet Size			NW 25	
Outlet Size			NW25(PF3/4)	
Weight		kg	48	
Oil			MR200	

## Speed Curve



## Feature

### ■ 특징

- 저소음 : 정밀가공 기술에 의한 저소음, 저진동의 펌프입니다.
- 오일 역류방지기구 내장 : 오일 역류방지기구 내장으로 정지시에 오일역류를 방지하므로 Pump Vent Valve가 필요없습니다.
- 뛰어난 호환성 : 전부품의 호환성이 있으며 위치결정형 평형핀의 체결, 각 Stator 등의 접속은 전부 O-Ring Seal로 되어 있으므로 분해조립이 용이한 구조입니다.
- 가스 밸러스트밸브 부착 : 가스 밸러스트밸브를 갖추고 있으므로, 수증기, 응축가스 등을 효과적으로 제거합니다.
- 오일 누설(滲洩) 방지 장치 : Oil Berth를 중간에 설치한 이중 Seal 구조로 되어 있으며, Oil Berth 양측면의 응력차를 극소화하여, Oil Seal 에서의 오일누설이 없습니다.
- 분진 무발생 : 직결구동이므로 벨트 마모에 의한 분진 발생이 없으므로 깨끗한 환경을 유지합니다.
- 소형 경량 : 직결구동이므로, 종래에 비하여 소형 경량입니다.

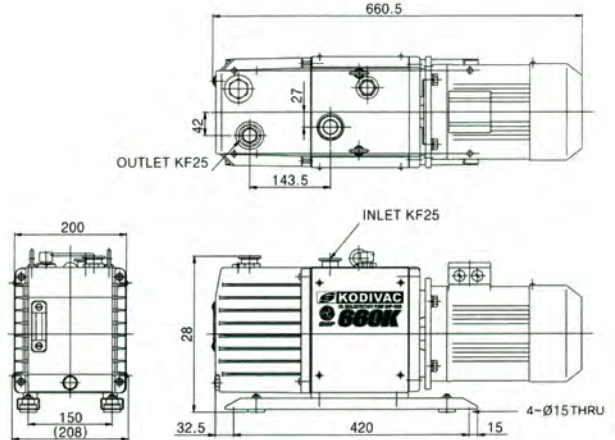
### ■ Features

- Low noise levels : This pump operates with low noise and low vibration by using technology.
- Built-in anti-backstream device : The GHP-Series are perfectly protected from backstream when operation is suspended, thanks to the built-in anti-backstream device, which cut off any oil flow, where by eliminating the need for pump leak valve.
- Easy disassembling and reassembling : All the parts and components of the systems have interchangeable compatibility. Securing of the location-setting parallel pins and connecting of stators are treated with O-Ring seal, making it possible to disassemble and reassemble with ease.
- Equipped with gas ballast valve : The Series are equipped with gas ballast valve, which effectively eliminates oil vapors and condensed gases.
- Prevention of oil leakage : The Series, designed to have a double seal structure with an oil berth installed in the intermediate position, minimize stress difference between both sides of the oil seal, preventing for no oil leaks from the oil seal.
- Anti-dust producing : Driven by direct connection, the Series do not produce any dusts as it may, belt abrasion when driven by belt, contributing to maintaining clean environment.
- Driven by direct connection : The Series are small and light, compared to other systems.



# OIL ROTARY VANE PUMP ▶ GHP-660K

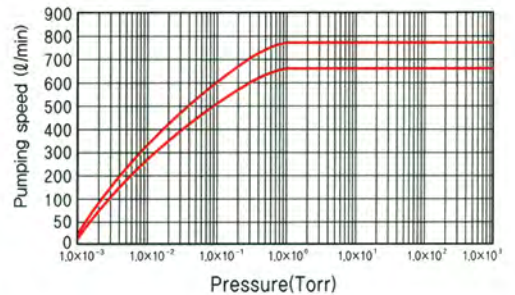
## Design / Outline Drawing(mm)



## Technical Specification

		Unit	50Hz	60Hz
Pumping Speed		ℓ /min	660	780
Ultimate Pressure	Gas Ballast Valve Close	Torr (Pa)	$5 \times 10^{-4} (6.5 \times 10^{-2})$	
	Gas Ballast Valve Open		$1 \times 10^{-2} (1.3)$	
Power		kW	220V/380V×3φ×1.5kW	
Oil Capacity (Nin/Max)		ℓ	2 / 2.6	
Cooling			Air cooling	
Inlet Size			NW 25	
Outlet Size			NW25(PF3/4)	
Weight		kg	52	
Oil			MR200	

## Speed Curve



## Feature

### ■특징

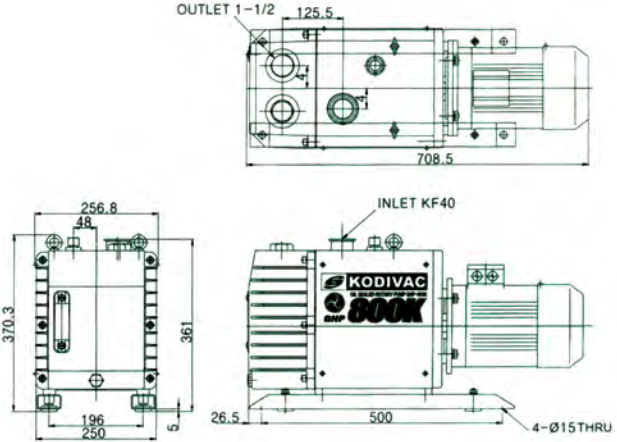
- 저소음 : 정밀가공 기술에 의한 저소음, 저진동의 펌프입니다.
- 오일 역류방지기구 내장 : 오일 역류방지기구 내장으로 정지시에 오일역류를 방지하므로 Pump Vent Valve가 필요없습니다.
- 뛰어난 호환성 : 전부품의 호환성이 있으며 위치결정형 평형핀의 체결, 각 Stator 등의 접속은 전부 O-Ring Seal로 되어 있으므로 분해조립이 용이한 구조입니다.
- 가스 밸러스트밸브 부착 : 가스 밸러스트밸브를 갖추고 있으므로, 수증기, 응축가스 등을 효과적으로 제거합니다.
- 오일 누설(漏洩) 방지 장치 : Oil Berth를 중간에 설치한 이중 Seal 구조로 되어 있으며, Oil Berth 양측면의 응력차를 극소화하여, Oil Seal 에서의 오일누설이 없습니다.
- 분진 무발생 : 직결구동이므로 벨트 마모에 의한 분진 발생이 없으므로 깨끗한 환경을 유지합니다.
- 소형 경량 : 직결구동이므로, 종래에 비하여 소형 경량입니다.

### ■Features

- Low noise levels : This pump operates with low noise and low vibration by using technology.
- Built-in anti-backstream device : The GHP-Series are perfectly protected from backstream when operation is suspended, thanks to the built-in anti-backstream device, which cut off any oil flow, thereby eliminating the need for pump leak valve.
- Easy disassembling and reassembling : All the parts and components of the systems have interchangeable compatibility. Securing of the location-settling parallel pins and connecting of stators are treated with O-Ring seal, making it possible to disassemble and reassemble with ease.
- Equipped with gas ballast valve : The Series are equipped with gas ballast valve, which effectively eliminates oil vapors and condensed gases.
- Prevention of oil leakage : The Series, designed to have a double seal structure with an oil berth installed in the intermediate position, minimize stress difference between both sides of the oil seal, preventing for no oil leaks from the oil seal.
- Anti-dust producing : Driven by direct connection, the Series do not produce any dusts as it may, belt abrasion when driven by belt, contributing to maintaining clean environment.
- Driven by direct connection : The Series are small and light, compared to other systems.

# OIL ROTARY VANE PUMP ▶ GHP-800K

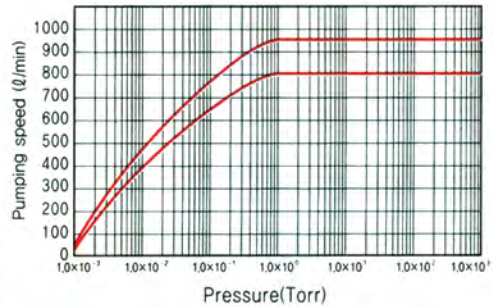
## Design / Outline Drawing(mm)



## Technical Specification

		Unit	50Hz	60Hz
Pumping Speed		ℓ /min	800	960
Ultimate Pressure	Gas Ballast Valve Close	Torr	$5 \times 10^{-4} (6.5 \times 10^{-2})$	
	Gas Ballast Valve Open	(Pa)	$1 \times 10^{-2} (1.3)$	
Power		kW	220V/380V×3φ×1.5kW	
Oil Capacity (Nin/Max)		ℓ	3.0 / 4.3	
Cooling			Air cooling	
Inlet Size			NW 40	
Outlet Size			PF 1 1/2(NW 40)	
Weight		kg	60	
Oil			MR200	

## Speed Curve



## Feature

### ■ 특징

- 저소음 : 정밀가공 기술에 의한 저소음, 저진동의 펌프입니다.
- 오일 역류방지기구 내장 : 오일 역류방지기구 내장으로 정지시에 오일역류를 방지하므로 Pump Vent Valve가 필요없습니다.
- 뛰어난 호환성 : 전부품의 호환성이 있으며 위치결정형 평형핀의 체결, 각 Stator 등의 접속은 전부 O-Ring Seal로 되어 있으므로 분해조립이 용이한 구조입니다.
- 가스 밸러스트밸브 부착 : 가스 밸러스트밸브를 갖추고 있으므로, 수증기, 응축가스 등을 효과적으로 제거합니다.
- 오일 누설(漏洩) 방지 장치 : Oil Berth를 중간에 설치한 이중 Seal 구조로 되어 있으며, Oil Berth 양측면의 응력차를 극소화하여, Oil Seal 에서의 오일누설이 없습니다.
- 분진 무발생 : 직결구동이므로 벨트 마모에 의한 분진 발생이 없으므로 깨끗한 환경을 유지합니다.
- 소형 경량 : 직결구동이므로, 종래에 비하여 소형 경량입니다.

### ■ Features

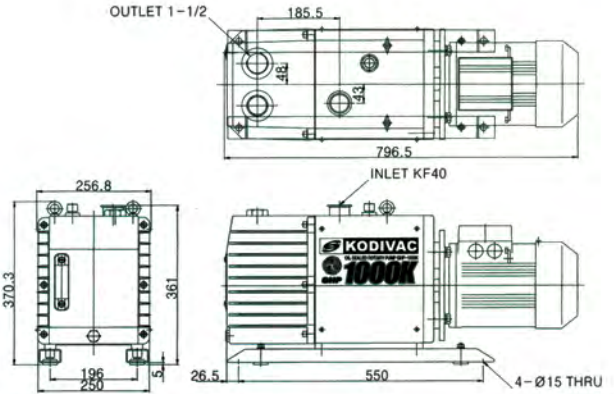
- Low noise levels : This pump operates with low noise and low vibration by using technology.
- Built-in anti-backstream device : The GHP-Series are perfectly protected from backstream when operation is suspended, thanks to the built-in anti-backstream device, which cut off any oil flow, where by eliminating the need for pump leak valve.
- Easy disassembling and reassembling : All the parts and components of the systems have interchangeable compatibility. Securing of the location-settling parallel pins and connecting of stators are treated with O-Ring seal, making it possible to disassemble and reassemble with ease.
- Equipped with gas ballast valve : The Series are equipped with gas ballast valve, which effectively eliminates oil vapors and condensed gases.
- Prevention of oil leakage : The Series, designed to have a double seal structure with an oil berth installed in the intermediate position, minimize stress difference between both sides of the oil seal, preventing for no oil leaks from the oil seal.
- Anti-dust producing : Driven by direct connection, the Series do not produce any dusts as it may, belt abrasion when driven by belt, contributing to maintaining clean environment.
- Driven by direct connection : The Series are small and light, compared to other systems.



# OIL ROTARY VANE PUMP

## GHP-1000K

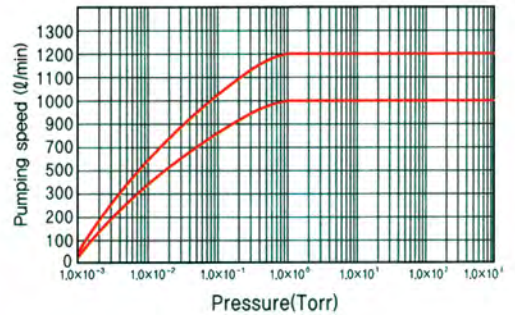
### Design / Outline Drawing(mm)



### Technical Specification

		Unit	50Hz	60Hz
Pumping Speed		ℓ /min	1000	1200
Ultimate Pressure	Gas Ballast Valve Close	Torr	$5 \times 10^{-4} (6.5 \times 10^{-2})$	
	Gas Ballast Valve Open	(Pa)	$1 \times 10^{-2} (1.3)$	
Power		kW	220V/380V×3φ×2.2kW	
Oil Capacity (Nin/Max)		ℓ	3.5 / 6.2	
Cooling			Air cooling	
Inlet Size			NW 40	
Outlet Size			PF 1 1/2 (NW 40)	
Weight		kg	85	
Oil			MR200	

### Speed Curve



### Feature

#### ■특징

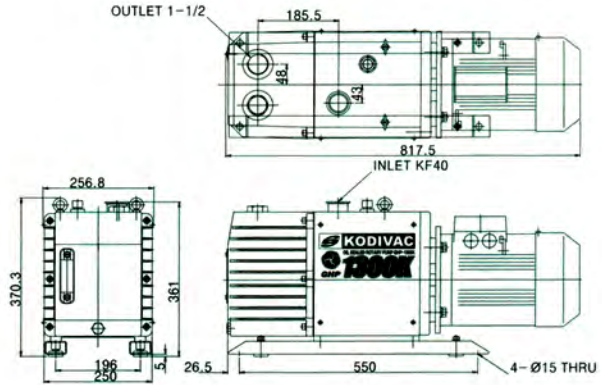
- 저소음 : 정밀가공 기술에 의한 저소음, 저진동의 펌프입니다.
- 오일 역류방지기구 내장 : 오일 역류방지기구 내장으로 정지시에 오일역류를 방지하므로 Pump Vent Valve가 필요없습니다.
- 뛰어난 호환성 : 전부품의 호환성이 있으며 위치결정형 평형핀의 체결, 각 Stator 등의 접속은 전부 O-Ring Seal로 되어 있으므로 분해조립이 용이한 구조입니다.
- 가스 밸러스트밸브 부착 : 가스 밸러스트밸브를 갖추고 있으므로, 수증기, 응축가스 등을 효과적으로 제거합니다.
- 오일 누설(漏洩) 방지 장치 : Oil Berth를 중간에 설치한 이중 Seal 구조로 되어 있으며, Oil Berth 양측면의 응력차를 극소화하여, Oil Seal 에서의 오일누설이 없습니다.
- 분진 무발생 : 직결구동이므로 벨트 마모에 의한 분진 발생이 없으므로 깨끗한 환경을 유지합니다.
- 소형 경량 : 직결구동이므로, 종래에 비하여 소형 경량입니다.

#### ■Features

- Low noise levels : This pump operates with low noise and low vibration by using technology.
- Built-in anti-backstream device : The GHP-Series are perfectly protected from backstream when operation is suspended, thanks to the built-in anti-backstream device, which cut off any oil flow, where by eliminating the need for pump leak valve.
- Easy disassembling and reassembling : All the parts and components of the systems have interchangeable compatibility. Securing of the location-settling parallel pins and connecting of stators are treated with O-Ring seal, making it possible to disassemble and reassemble with ease.
- Equipped with gas ballast valve : The Series are equipped with gas ballast valve, which effectively eliminates oil vapors and condensed gases.
- Prevention of oil leakage : The Series, designed to have a double seal structure with an oil berth installed in the intermediate position, minimize stress difference between both sides of the oil seal, preventing for no oil leaks from the oil seal.
- Anti-dust producing : Driven by direct connection, the Series do not produce any dusts as it may, belt abrasion when driven by belt, contributing to maintaining clean environment.
- Driven by direct connection : The Series are small and light, compared to other systems.

# OIL ROTARY VANE PUMP ▶ GHP-1300K

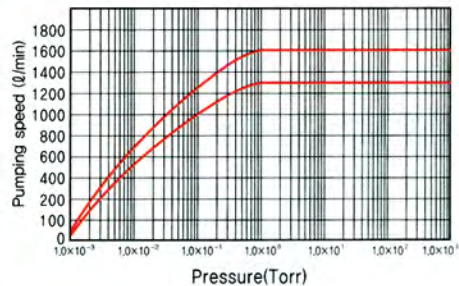
## Design / Outline Drawing(mm)



## Technical Specification

		Unit	50Hz	60Hz
Pumping Speed		ℓ / min	1300	1600
Ultimate Pressure	Gas Ballast Valve Close	Torr (Pa)	$5 \times 10^{-4}$ ( $6.5 \times 10^{-2}$ )	
	Gas Ballast Valve Open		$1 \times 10^{-2}$ (1.3)	
Power		kW	220V/380V×3φ×4kW	
Oil Capacity (Nin/Max)		ℓ	3.5 / 6.2	
Cooling			Air cooling	
Inlet Size			NW 40	
Outlet Size			PF 1 1/2 (NW 40)	
Weight		kg	95	
Oil			MR200	

## Speed Curve



## Feature

### ■ 특징

- 저소음 : 정밀가공 기술에 의한 저소음, 저진동의 펌프입니다.
- 오일 역류방지기구 내장 : 오일 역류방지기구 내장으로 정지시에 오일역류를 방지하므로 Pump Vent Valve가 필요없습니다.
- 뛰어난 호환성 : 전부품의 호환성이 있으며 위치결정형 평형핀의 체결, 각 Stator 등의 접속은 전부 O-Ring Seal로 되어 있으므로 분해조립이 용이한 구조입니다.
- 가스 밸러스트밸브 부착 : 가스 밸러스트밸브를 갖추고 있으므로, 수증기, 응축가스 등을 효과적으로 제거합니다.
- 오일 누설(漏洩) 방지 장치 : Oil Berth를 중간에 설치한 이중 Seal 구조로 되어 있으며, Oil Berth 양측면의 응력차를 극대화하여, Oil Seal 에서의 오일누설이 없습니다.
- 분진 무발생 : 직결구동이므로 벨트 마모에 의한 분진 발생이 없으므로 깨끗한 환경을 유지합니다.
- 소형 경량 : 직결구동이므로, 종래에 비하여 소형 경량입니다.

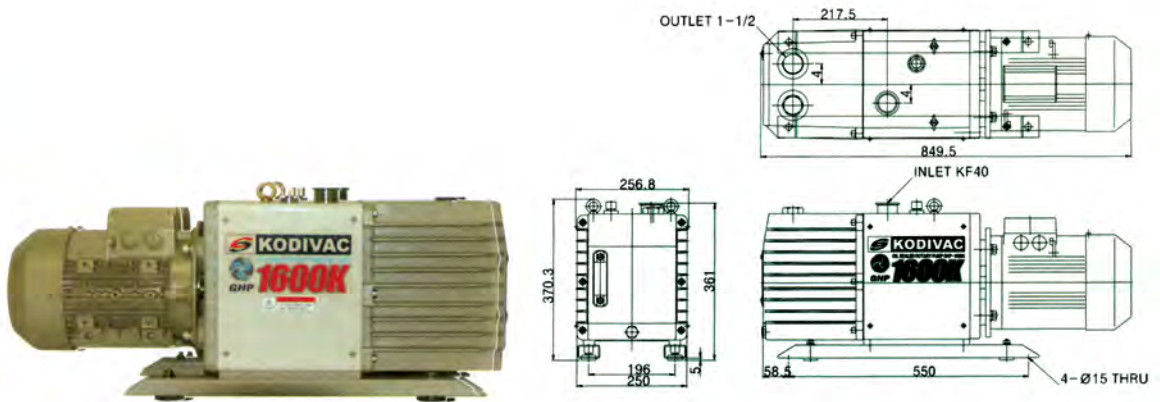
### ■ Features

- Low noise levels : This pump operates with low noise and low vibration by using technology.
- Built-in anti-backstream device : The GHP-Series are perfectly protected from backstream when operation is suspended, thanks to the built-in anti-backstream device, which cut off any oil flow, where by eliminating the need for pump leak valve.
- Easy disassembling and reassembling : All the parts and components of the systems have interchangeable compatibility. Securing of the location-setting parallel pins and connecting of stators are treated with O-Ring seal, making it possible to disassemble and reassemble with ease.
- Equipped with gas ballast valve : The Series are equipped with gas ballast valve, which effectively eliminates oil vapors and condensed gases.
- Prevention of oil leakage : The Series, designed to have a double seal structure with an oil berth installed in the intermediate position, minimize stress difference between both sides of the oil seal, preventing for no oil leaks from the oil seal.
- Anti-dust producing : Driven by direct connection, the Series do not produce any dusts as it may, belt abrasion when driven by belt, contributing to maintaining clean environment.
- Driven by direct connection : The Series are small and light, compared to other systems.



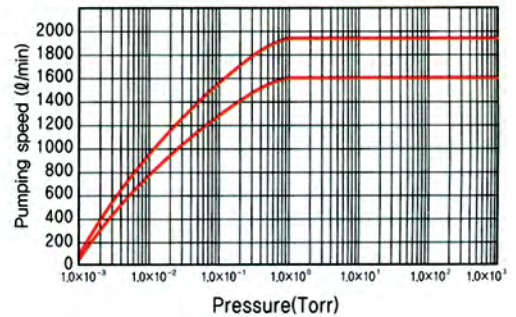
# OIL ROTARY VANE PUMP ▶ GHP-1600K

## Design / Outline Drawing(mm)



## Technical Specification

		Unit	50Hz	60Hz
Pumping Speed		ℓ /min	1600	1920
Ultimate Pressure	Gas Ballast Valve Close	Torr	$5 \times 10^{-4} (6.5 \times 10^{-2})$	
	Gas Ballast Valve Open	(Pa)	$1 \times 10^{-2} (1.3)$	
Power		kW	220V/380V×3φ×4kW	
Oil Capacity (Nin/Max)		ℓ	5.6 / 6.5	
Cooling			Air cooling	
Inlet Size			NW 40	
Outlet Size			PF 1 1/2 (NW 40)	
Weight		kg	106	
Oil			MR200	



## Feature

### ■ 특징

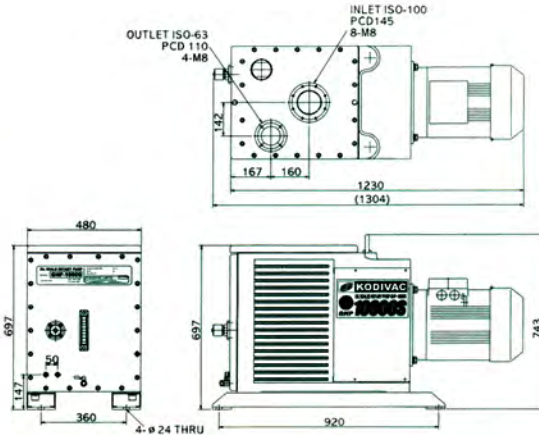
- 저소음 : 정밀가공 기술에 의한 저소음, 저진동의 펌프입니다.
- 오일 역류방지기구 내장 : 오일 역류방지기구 내장으로 정지시에 오일역류를 방지하므로 Pump Vent Valve가 필요없습니다.
- 뛰어난 호환성 : 전부품의 호환성이 있으며 위치결정형 평형핀의 체결, 각 Stator 등의 접속은 전부 O-Ring Seal로 되어 있으므로 분해조립이 용이한 구조입니다.
- 가스 밸러스트밸브 부착 : 가스 밸러스트밸브를 갖추고 있으므로, 수증기, 응축가스 등을 효과적으로 제거합니다.
- 오일 누설(漏洩) 방지 장치 : Oil Berth를 중간에 설치한 이중 Seal 구조로 되어 있으며, Oil Berth 양측면의 응력차를 극소화하여, Oil Seal에서의 오일누설이 없습니다.
- 분진 무발생 : 직결구동이므로 벨트 마모에 의한 분진 발생이 없으므로 깨끗한 환경을 유지합니다.
- 소형 경량 : 직결구동이므로, 종래에 비하여 소형 경량입니다.

### ■ Features

- Low noise levels : This pump operates with low noise and low vibration by using technology.
- Built-in anti-backstream device : The GHP-Series are perfectly protected from backstream when operation is suspended, thanks to the built-in anti-backstream device, which cut off any oil flow, thereby eliminating the need for pump leak valve.
- Easy disassembling and reassembling : All the parts and components of the systems have interchangeable compatibility. Securing of the location-settling parallel pins and connecting of stators are treated with O-Ring seal, making it possible to disassemble and reassemble with ease.
- Equipped with gas ballast valve : The Series are equipped with gas ballast valve, which effectively eliminates oil vapors and condensed gases.
- Prevention of oil leakage : The Series, designed to have a double seal structure with an oil berth installed in the intermediate position, minimize stress difference between both sides of the oil seal, preventing for no oil leaks from the oil seal.
- Anti-dust producing : Driven by direct connection, the Series do not produce any dusts as it may, belt abrasion when driven by belt, contributing to maintaining clean environment.
- Driven by direct connection : The Series are small and light, compared to other systems.

# OIL ROTARY VANE PUMP ▶ GHP-10000S (Single Stage)

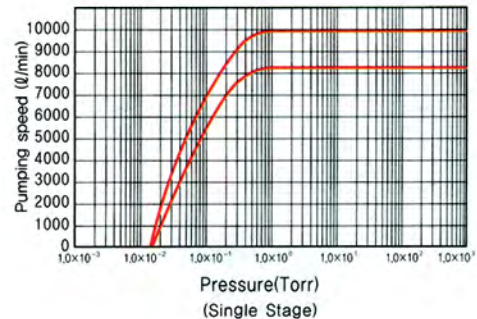
## Design / Outline Drawing(mm)



## Technical Specification

		Unit	50Hz	60Hz
Pumping Speed		ℓ /min	8200	10000
Ultimate Pressure	Gas Ballast Valve Close	Torr	$5 \times 10^{-2}$ (6.6)	
	Gas Ballast Valve Open	(Pa)	$5 \times 10^{-2}$ (6.6)	
Power		kW	220V/380V×3φ×15kW	
Oil Capacity (Nin/Max)		ℓ	20 / 30	
Cooling			Water Cooling	
Inlet Size			ISO-100	
Outlet Size			ISO-63	
Weight		kg	280	
Oil			MR200	

## Speed Curve



## Feature

### ■ 특징

- 뛰어난 호환성 : 전부품의 호환성이 있으며 위치결정형 평형핀의 체결, 각 Stator 등의 접속은 전부 O-Ring Seal로 되어 있으므로 분해조립이 용이한 구조입니다.
- 가스 밸라스트밸브 부착 : 가스 밸라스트밸브를 갖추고 있으므로, 수증기, 응축가스 등을 효과적으로 제거합니다.
- 오일 누설(漏洩) 방지 장치 : Oil Berth를 중간에 설치한 이중 Seal 구조로 되어 있으며, Oil Berth 양측면의 응력차를 극소화하여, Oil Seal 에서의 오일누설이 없습니다.
- 분진 무발생 : 직결구동이므로 벨트 마모에 의한 분진 발생이 없으므로 깨끗한 환경을 유지합니다.

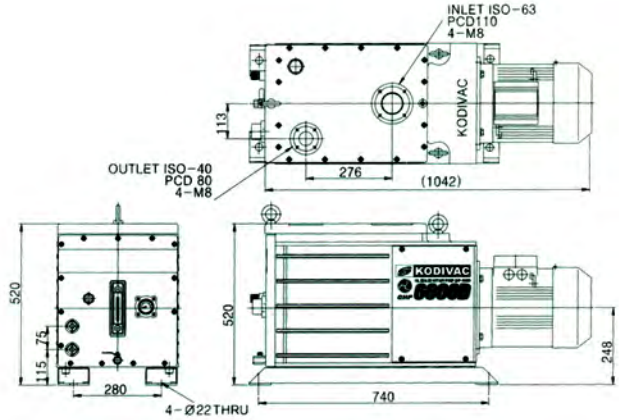
### ■ Features

- Easy disassembling and reassembling : All the parts and components of the systems have interchangeable compatibility, Securing of the location-setting parallel pins and connecting of stators are treated with O-Ring seal, making it possible to disassemble and reassemble with ease.
- Equipped with gas ballast valve : The Series are equipped with gas ballast valve, which effectively eliminates oil vapors and condensed gases.
- Prevention of oil leakage : The Series, designed to have a double seal structure with an oil berth installed in the intermediate position, minimize stress difference between both sides of the oil seal, preventing for no oil leaks from the oil seal.
- Anti-dust producing : Driven by direct connection, the Series do not produce any dusts as it may, belt abrasion when driven by belt, contributing to maintaining clean environment.



# OIL ROTARY VANE PUMP ▶ GHP-6000D (Double Stage)

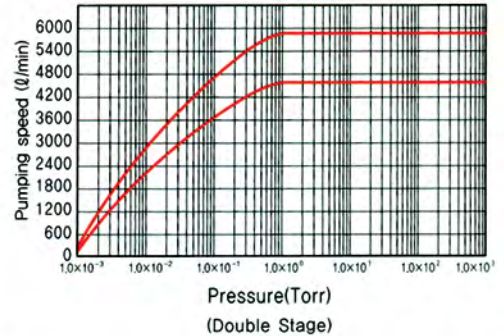
## Design / Outline Drawing(mm)



## Technical Specification

		Unit	50Hz	60Hz
Pumping Speed		ℓ /min	4600	5800
Ultimate Pressure	Gas Ballast Valve Close	Torr	$5 \times 10^{-4}$ ( $6.5 \times 10^{-2}$ )	
	Gas Ballast Valve Open	(Pa)	$1 \times 10^{-2}$ (1.3)	
Power		kW	220V/380V×3φ×8.6kW	
Oil Capacity (Min/Max)		ℓ	18 / 28	
Cooling			Water cooling	
Inlet Size			ISO-63	
Outlet Size			ISO-40	
Weight		kg	242	
Oil			MR200	

## Speed Curve



## Feature

### ■특징

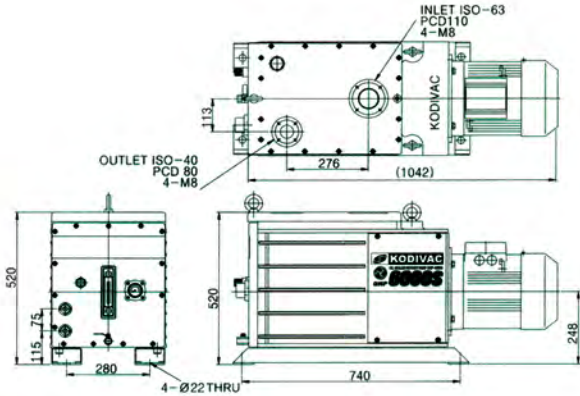
- 뛰어난 호환성 : 전부품의 호환성이 있으며 위치결정형 평형핀의 체결, 각 Stator 등의 접속은 전부 O-Ring Seal로 되어 있으므로 분해조립이 용이한 구조입니다.
- 가스 밸러스트밸브 부착 : 가스 밸러스트밸브를 갖추고 있으므로, 수증기, 응축가스 등을 효과적으로 제거합니다.
- 오일 누설(漏洩) 방지 장치 : Oil Berth를 중간에 설치한 이중 Seal 구조로 되어 있으며, Oil Berth 양측면의 응력차를 극소화하여, Oil Seal 에서의 오일누설이 없습니다.
- 분진 무발생 : 직결구동이므로 벨트 마모에 의한 분진 발생이 없으므로 깨끗한 환경을 유지합니다.

### ■Features

- Easy disassembling and reassembling : All the parts and components of the systems have interchangeable compatibility. Securing of the location-settling parallel pins and connecting of stators are treated with O-Ring seal, making it possible to disassemble and reassemble with ease.
- Equipped with gas ballast valve : The Series are equipped with gas ballast valve, which effectively eliminates oil vapors and condensed gases.
- Prevention of oil leakage : The Series, designed to have a double seal structure with an oil berth installed in the intermediate position, minimize stress difference between both sides of the oil seal, preventing for no oil leaks from the oil seal.
- Anti-dust producing : Driven by direct connection, the Series do not produce any dusts as it may, belt abrasion when driven by belt, contributing to maintaining clean environment.

# OIL ROTARY VANE PUMP ▶ GHP-6000S (Single Stage)

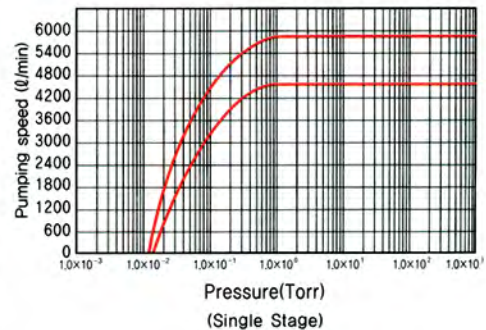
## Design / Outline Drawing(mm)



## Technical Specification

		Unit	50Hz	60Hz
Pumping Speed		ℓ /min	4600	5800
Ultimate Pressure	Gas Ballast Valve Close	Torr	$5 \times 10^{-2} (6.6)$	
	Gas Ballast Valve Open	(Pa)	$5 \times 10^{-2} (6.6)$	
Power		kW	220V/380V×3φ×8.6kW	
Oil Capacity (Nin/Max)		ℓ	18 / 28	
Cooling			Water cooling	
Inlet Size			ISO-63	
Outlet Size			ISO-40	
Weight		kg	238	
Oil			MR200	

## Speed Curve



## Feature

### ■ 특징

- 뛰어난 호환성 : 전부품의 호환성이 있으며 위치결정형 평형핀의 체결, 각 Stator 등의 접속은 전부 O-Ring Seal로 되어 있으므로 분해조립이 용이한 구조입니다.
- 가스 밸라스트밸브 부착 : 가스 밸라스트밸브를 갖추고 있으므로, 수증기, 응축가스 등을 효과적으로 제거합니다.
- 오일 누설(漏洩) 방지 장치 : Oil Berth를 중간에 설치한 이중 Seal 구조로 되어 있으며, Oil Berth 양측면의 응력차를 극소화하여, Oil Seal 에서의 오일누설이 없습니다.
- 분진 무발생 : 직결구동이므로 벨트 마모에 의한 분진 발생이 없으므로 깨끗한 환경을 유지합니다.

### ■ Features

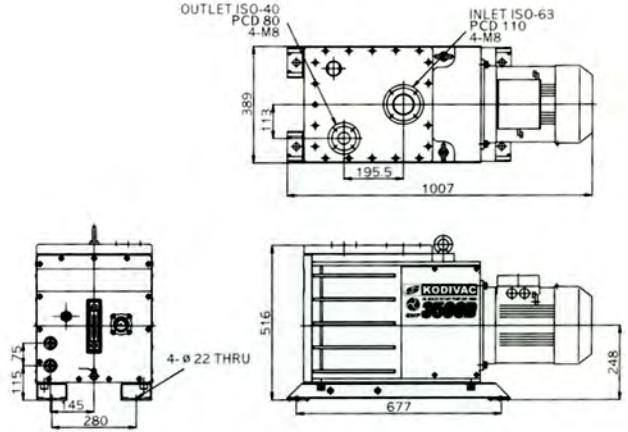
- Easy disassembling and reassembling : All the parts and components of the systems have interchangeable compatibility. Securing of the location-settling parallel pins and connecting of stators are treated with O-Ring seal, making it possible to disassemble and reassemble with ease.
- Equipped with gas ballast valve : The Series are equipped with gas ballast valve, which effectively eliminates oil vapors and condensed gases.
- Prevention of oil leakage : The Series, designed to have a double seal structure with an oil berth installed in the intermediate position, minimize stress difference between both sides of the oil seal, preventing for no oil leaks from the oil seal.
- Anti-dust producing : Driven by direct connection, the Series do not produce any dusts as it may, belt abrasion when driven by belt, contributing to maintaining clean environment.



# OIL ROTARY VANE PUMP

## GHP-3500D (Double Stage)

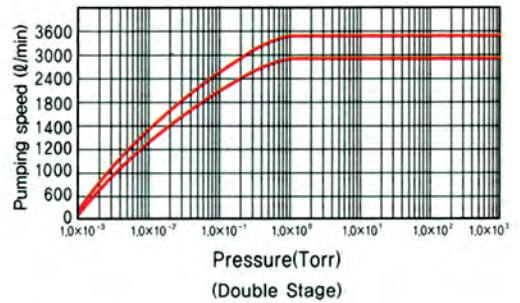
### Design / Outline Drawing(mm)



### Technical Specification

		Unit	50Hz	60Hz
Pumping Speed		ℓ /min	2900	3500
Ultimate Pressure	Gas Ballast Valve Close	Torr	$5 \times 10^{-4} (6.5 \times 10^{-2})$	
	Gas Ballast Valve Open	(Pa)	$1 \times 10^{-2} (1.3)$	
Power		kW	220V/380V×3φ×5.5kW	
Oil Capacity (Nin/Max)		ℓ	16 / 26	
Cooling			Water cooling	
Inlet Size			ISO-63	
Outlet Size			ISO-40	
Weight		kg	210	
Oil			MR200	

### Speed Curve



### Feature

#### ■ 특징

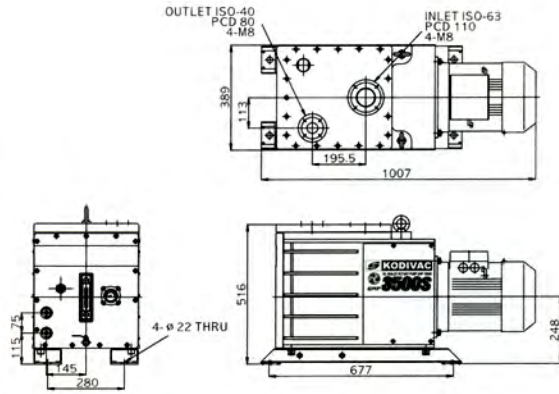
- 뛰어난 호환성 : 전부품의 호환성이 있으며 위치결정형 평형핀의 체결, 각 Stator 등의 접속은 전부 O-Ring Seal로 되어 있으므로 분해조립이 용이한 구조입니다.
- 가스 밸러스트밸브 부착 : 가스 밸러스트밸브를 갖추고 있으므로, 수증기, 응축가스 등을 효과적으로 제거합니다.
- 오일 누설(漏洩) 방지 장치 : Oil Berth를 중간에 설치한 이중 Seal 구조로 되어 있으며, Oil Berth 양측면의 응력차를 극소화하여, Oil Seal 에서의 오일누설이 없습니다.
- 분진 무발생 : 직결구동이므로 벨트 마모에 의한 분진 발생이 없으므로 깨끗한 환경을 유지합니다.

#### ■ Features

- Easy disassembling and reassembling : All the parts and components of the systems have interchangeable compatibility. Securing of the location-settling parallel pins and connecting of stators are treated with O-Ring seal, making it possible to disassemble and reassemble with ease.
- Equipped with gas ballast valve : The Series are equipped with gas ballast valve, which effectively eliminates oil vapors and condensed gases.
- Prevention of oil leakage : The Series, designed to have a double seal structure with an oil berth installed in the intermediate position, minimize stress difference between both sides of the oil seal, preventing for no oil leaks from the oil seal.
- Anti-dust producing : Driven by direct connection, the Series do not produce any dusts as it may, belt abrasion when driven by belt, contributing to maintaining clean environment.

# OIL ROTARY VANE PUMP ▶ GHP-3500S (Single Stage)

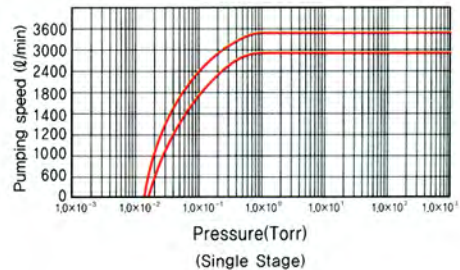
## Design / Outline Drawing(mm)



## Technical Specification

		Unit	50Hz	60Hz
Pumping Speed		ℓ /min	2900	3500
Ultimate Pressure	Gas Ballast Valve Close	Torr	$5 \times 10^{-2}$ (6.6)	
	Gas Ballast Valve Open	(Pa)	$5 \times 10^{-2}$ (6.6)	
Power		kW	220V/380V×3φ×5.5kW	
Oil Capacity (Nin/Max)		ℓ	16 / 26	
Cooling			Water cooling	
Inlet Size			ISO-63	
Outlet Size			ISO-40	
Weight		kg	205	
Oil			MR200	

## Speed Curve



## Feature

### ■특징

- 뛰어난 호환성 : 전부품의 호환성이 있으며 위치결정형 평형핀의 체결, 각 Stator 등의 접속은 전부 O-Ring Seal로 되어 있으므로 분해조립이 용이한 구조입니다.
- 가스 밸라스트밸브 부착 : 가스 밸라스트밸브를 갖추고 있으므로, 수증기, 응축가스 등을 효과적으로 제거합니다.
- 오일 누설(漏洩) 방지 장치 : Oil Berth를 중간에 설치한 이중 Seal 구조로 되어 있으며, Oil Berth 양측면의 응력차를 극소화하여, Oil Seal 에서의 오일누설이 없습니다.
- 분진 무발생 : 직결구동이므로 벨트 마모에 의한 분진 발생이 없으므로 깨끗한 환경을 유지합니다.

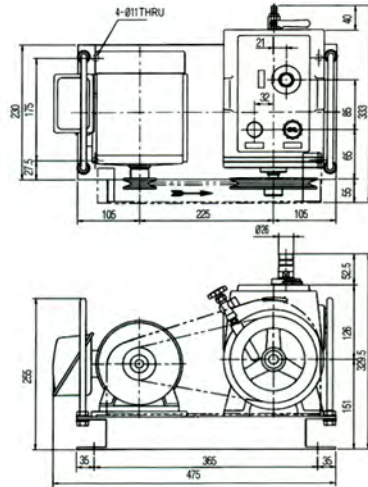
### ■Features

- Easy disassembling and reassembling : All the parts and components of the systems have interchangeable compatibility, Securing of the location-setting parallel pins and connecting of stators are treated with O-Ring seal, making it possible to disassemble and reassemble with ease.
- Equipped with gas ballast valve : The Series are equipped with gas ballast valve, which effectively eliminates oil vapors and condensed gases.
- Prevention of oil leakage : The Series, designed to have a double seal structure with an oil berth installed in the intermediate position, minimize stress difference between both sides of the oil seal, preventing for no oil leaks from the oil seal.
- Anti-dust producing : Driven by direct connection, the Series do not produce any dusts as it may, belt abrasion when driven by belt, contributing to maintaining clean environment.



# BELT-DRIVEN ROTARY VANE PUMP ▶ GRP-180

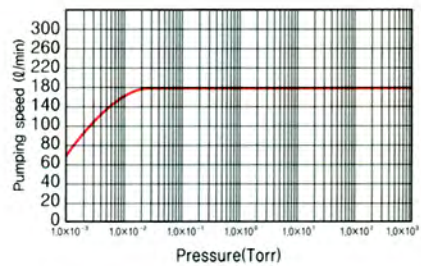
## Design / Outline Drawing(mm)



## Technical Specification

Pumping Speed	180ℓ /min
Ultimate Pressure	$1 \times 10^{-3}$ Torr
Power	220V/380V×3φ ×0.4kW
R.P.M.	600 r.p.m.
Oil Capacity	2.5ℓ
Cooling	Air Cooling
Inlet Size	φ 26
Outlet Size	PF 3/4
Oil	ULTRA-200

## Speed Curve



## Feature

### ■특징

- 저소음, 저진동
- 연속운동 가능
- 우수한 성능
- Ultimate Pressure, 배기속도 특성이 매우 우수
- Gas Ballast 부착
- 수증기, 응축 Gas등을 효과적으로 제거

### ■Features

- Low noise, Low Vibration
- Continuous Operating
- Excellent Performance
- Low Ultimate Pressure, High Pumping Speed
- Gas Ballast
- Eliminate of Vapor and Condensed Gas

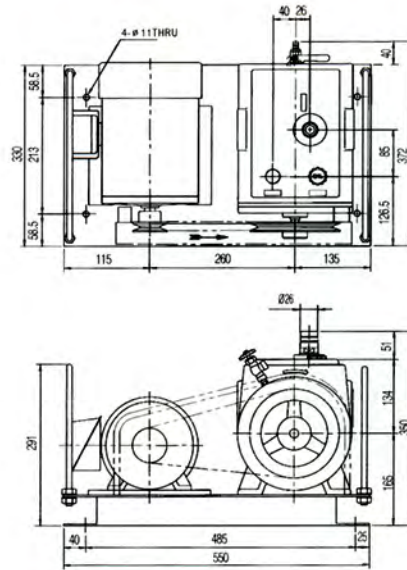
BELT-DRIVEN  
GRP-180

BELT-DRIVEN ROTARY VANE PUMP – GRP Series

website : [www.vactech.com.my](http://www.vactech.com.my)  
e-mail : [sales@vactech.com.my](mailto:sales@vactech.com.my)

# BELT-DRIVEN ROTARY VANE PUMP ▶ GRP-300N

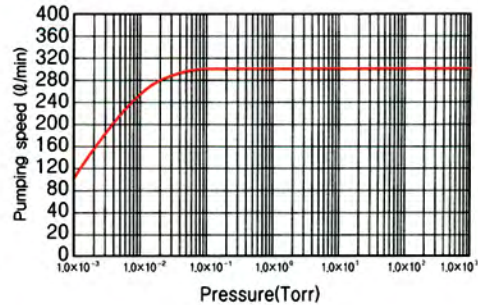
## Design / Outline Drawing(mm)



## Technical Specification

Pumping Speed	300ℓ /min
Ultimate Pressure	$1 \times 10^{-3}$ Torr
Power	220V/380V × 3φ × 0.4kW
R.P.M.	600 r.p.m.
Oil Capacity	3.2ℓ
Cooling	Air Cooling
Inlet Size	φ 26
Outlet Size	PF 3/4
Oil	ULTRA-200

## Speed Curve



## Feature

### ■ 특징

- 저소음, 저진동
- 연속운동 가능
- 우수한 성능
- Ultimate Pressure, 배기속도 특성이 매우 우수
- Gas Ballast 부착
- 수증기, 응축 Gas등을 효과적으로 제거

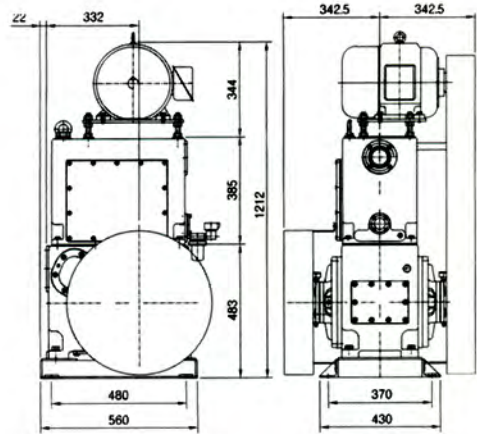
### ■ Features

- Low noise, Low Vibration
- Continuous Operating
- Excellent Performance
- Low Ultimate Pressure, High Pumping Speed
- Gas Ballast
- Eliminate of Vapor and Condensed Gas



# PISTON ROTARY PUMP ▶ KRP-4500 PUMP

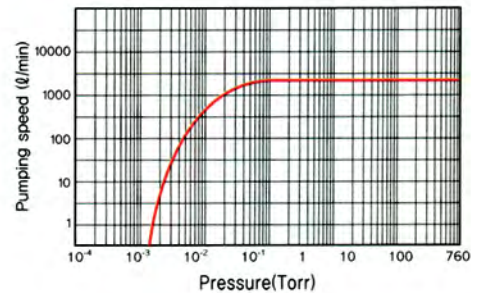
## Design / Outline Drawing(mm)



## Technical Specification

Actual Pumping Speed(60Hz)	4500ℓ /min
Ultimate Pressure Torr(Pa)	$5 \times 10^{-3}(6.7 \times 10^{-1})$
Ultimate Pressure with Ballast	$5 \times 10^{-1}$ (67)
Motor Power	5.5kW
Oil Capacity	12ℓ
Inlet Connection	VG 80
Outlet Connection	VF 80
Electrical Power	220V / 380V, 60Hz, $\phi$ 3
Cooling Water	3.5ℓ /min
Weight	440Kg
<b>Option</b>	
Oil Mist Trap	OMT-4500
Oil Fuelling Tank	OFT-4500

## Speed Curve



## Feature · Application

### ■특징

- 배기량에 비해 소음, 진동이 적다.
- 특수한 설계구조 방식으로 내구성이 강하다.
- 구조가 간단하며 정밀가공 핀 조립장식으로 제품 호환성이 양호하다.
- 고객이 원하는 모터를 쉽게 교체 할 수 있다.
- 대용량 배기시 MBP펌프 탑재가 용이하다.

### ■용도

- 대량의 공기를 짧게 배기시간을 요구하는 시스템에 적용
- 고순도 활성가스가 배기 및 흡입용으로 사용
- 진공배기, 진공열처리, 가스분석, 진공증착, 진공합침, 진공건조, 진공성형, 기타배기장치

### ■Feature

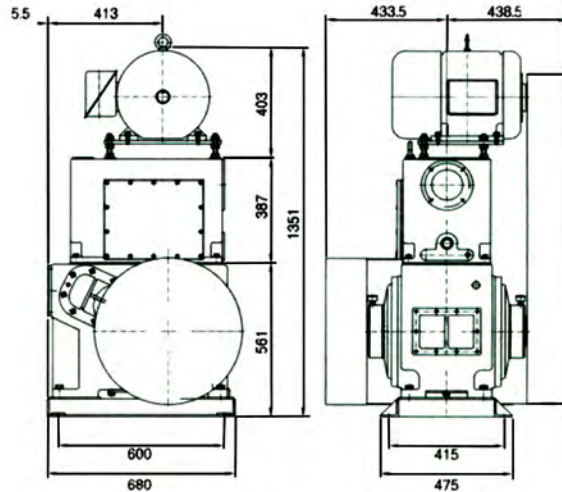
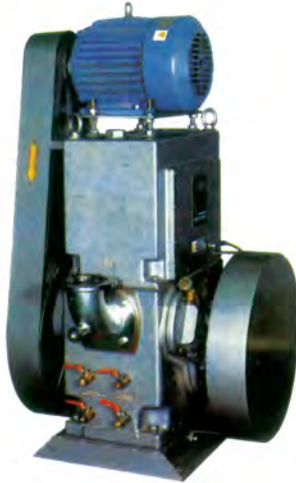
- Little vibration and noise against to exhaust capacity.
- strong durability by special structure type.
- Simple structure and pin-assemble type with a precise machining parts having good replacement.
- Easy to replace motor which customer requested.
- Easy to install a MBP motor when high capacity was exhausted.

### ■Application

- For short exhausting time with enormous air.
- For exhausting or suction of high purity activated gas.
- For vacuum exhausting, vacuum heat-treatment, residual gas analysis, vacuum evaporation sintering, vacuum dry, vacuum deformation and etc.

# PISTON ROTARY PUMP ▶ KRP-8000 PUMP

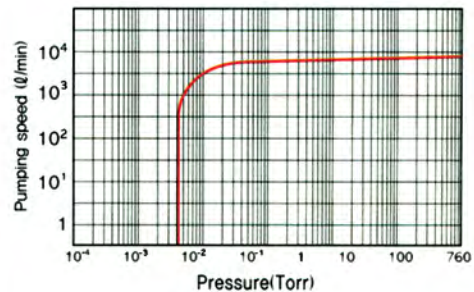
## Design / Outline Drawing(mm)



## Technical Specification

Actual Pumping Speed(60Hz)	8000ℓ /min
Ultimate Pressure Torr(Pa)	$5 \times 10^{-3}$ ( $6.7 \times 10^{-1}$ )
Ultimate Pressure with Ballast	$5 \times 10^{-1}$ (67)
Motor Power	11kW
Oil Capacity	20ℓ
Inlet Connection	VG 100
Outlet Connection	VF 100
Electrical Power	220V / 380V, 60Hz, $\phi$ 3
Cooling Water	5ℓ /min
Weight	7700Kg
<b>Option</b>	
Oil Mist Trap	OMT-8000
Oil Fuelling Tank	OFT-8000

## Speed Curve



## Feature Application

### ■특징

- 배기량에 비해 소음, 진동이 적다.
- 특수한 설계구조 방식으로 내구성이 강하다.
- 구조가 간단하며 정밀가공 핀 조립장식으로 제품 호환성이 양호하다.
- 고객이 원하는 모터를 쉽게 교체 할 수 있다.
- 대용량 배기시 MBP필름 탑재가 용이하다.

### ■용도

- 대량의 공기를 짧게 배기시간을 요구하는 시스템에 적용
- 고순도 활성가스가 배기 및 흡입용으로 사용
- 진공배기, 진공열처리, 가스분석, 진공증착, 진공함침, 진공건조, 진공성형, 기타배기장치

### ■Feature

- Little vibration and noise against to exhaust capacity.
- strong durability by special structure type.
- Simple structure and pin-assembly type with a precise machining parts having good replacement.
- Easy to replace motor which customer requested.
- Easy to install a MBP motor when high capacity was exhausted.

### ■Application

- For short exhausting time with enormous air.
- For exhausting or suction of high purity activated gas.
- For vacuum exhausting, vacuum heat-treatment, residual gas analysis, vacuum evaporation sintering, vacuum dry, vacuum deformation and etc.



It's customers and we will take a big step forward to becoming the first specialized company in the vacuum industry.

e-mail : [sales@vactech.com.my](mailto:sales@vactech.com.my)  
website : [www.vactech.com.my](http://www.vactech.com.my)

 (주)PJ KODIVAC



**VACTECH SDN. BHD.**  
(Company No. 389978-P)